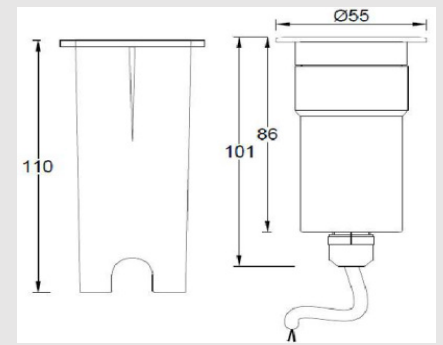


## UNDER WATER 55 - 2 W



### Technical Data

<b>Application Category</b>	Underwater Light
<b>Wattage</b>	2.1W
<b>Lumen</b>	240lm
<b>Ingress Protection</b>	IP68
<b>Fixture Material</b>	316 Marine Grade SS, Finish: Stainless steel
<b>Housing material</b>	Plastic, Finish: Black
<b>Light Source</b>	CREE
<b>Life Span</b>	20000 Hrs
<b>Screws</b>	Stainless Steel
<b>Power Supply</b>	Remote CV driver (24V DC)
<b>Reflector / Lens type</b>	Ledlink (LL01ZZ-EX10L06-M2-T)
<b>Diffuser</b>	N/A
<b>Gland</b>	Wiska
<b>Cable</b>	Lapp Cable (2 core )
<b>Dimension</b>	Ø55 x 110mm
<b>Net Weight</b>	N/A



### Features

Luminaire made with stainless steel 316 grade body.  
Extra safety, Impact resistant, Toughened glass.  
SS316 grade faceplate with SS316 screw.  
High grade brass nickle plated IP68 German gland.

Family	Type	Led Chips	Wattage	CRI	Optics	CCT	Fixture Finish	Supply	Accessories
Underwater 55	UW	CREE	2.1-2W	8- 80 CRI	10 Deg 25 Deg 45 Deg	27- 2700K 30- 3000K 40- 4000K	SS-Stainless Steel	24V DC	-

